

ROLLER MILL BELTS





Roller mill belts

Roller mill machines are widely used in food-processing industries, for various applications such as grinding grains and barley to make bread, flour, and beer. These machines may also be used to produce a variety of powders and chemical products.

Megadyne Double Sided Roller Mill Belts are used in roller mills (food, corn, fruit, rice, flour, etc.) where the backside pulley has a reverse direction and relative slippage is necessary when the rolls are jammed.

Roller Mill Belts are available either Synchronous (8M, STD8 or 14M) on one side and Poly-V (PV-K or PV-L) on the other, double-sided synchronous or double-sided ribbed (PV-L). The ribbed profile allows functional slippage under jamming conditions and absorbs resulting torque spikes.



Commonly Used Roller Mill Belts

Synchronous with PV back				
ITEM CODE	DESCRIPTION	WIDTH (ribs)	LENGTH (mm)	COMMONLY USED SETS
1760RPPV43	1760 RPP8 PK 12 PV BACK	12	1760	SET of 3
2000RPPV43	2000 RPP8 PK 12 PV BACK	12	2000	SET of 3
2400RPPV43	2400 RPP8 PK 12 PV BACK	12	2400	SET of 3
1552STD8PVK165L	1552 STD8 PK 16 PV BACK SUPER	16	1552	SET of 2
1552STD8PVK305L	1552 STD8 PK 30 PV BACK	30	1552	
1552STD8PVK325L	1552 STD8 PK 32 PV BACK	32	1552	
1778RPP14PV43	1778 RPP14 PK 12 PV BACK	12	1778	SET of 3
1760PLUS8PVK12	1760 SLV8 PK 12 PV BACK PLUS	12	1760	SET of 3
1760PLUS8PVK16	1760 SLV8 PK 16 PV BACK PLUS	16	1760	SET of 2
1760PLUS8PVK28	1760 SLV8 PK 28 PV BACK PLUS	28	1760	
1760PLUS8PVK36	1760 SLV8 PK 36 PV BACK PLUS	36	1760	
1800PLUS8PVK16	1800 SLV8 PK 16 PV BACK PLUS	16	1800	
2000SLV8PVK12	2000 SLV8 PK 12 PV BACK	12	2000	SET of 3
2400PLUS8PVK12	2400 SLV8 PK 12 PV BACK PLUS	12	2400	SET of 2
2400PLUS8PVK36	2400 SLV8 PK 36 PV BACK PLUS	36	2400	
1610SLV14PVK24	1610 SLV14 PK 24 PV BACK	24	1610	
1610SLV14PVK36	1610 SLV14 PK 36 PV BACK	36	1610	
1764SLV14PVL12SCA	1764 SLV14 PL 12 PV BACK R0068	12	1764	SET of 2
1764SLV14PVK12	1764 SLV14 PK 12 PV BACK	12	1764	SET of 3
1778PLUS14PVK12	1778 SLV14 PK 12 PV BACK PLUS	12	1778	SET of 3
1890PLUS14PVK12	1890 SLV14 PK 12 PV BACK PLUS	12	1890	SET of 3
1890PLUS14PVK24	1890 SLV14 PK 24 PV BACK PLUS	24	1890	
1764PTH14PVK12	1764 GLD14 PK 12 PV BACK	12	1764	SET of 3
2400GLD8PVK12SCA	2400 GLD8 PK 12 PV BACK GLD R0069	12	2400	SET of 2
Double sided synchronous				
ITEM CODE	DESCRIPTION	WIDTH (mm)	LENGTH (mm)	COMMONLY USED SETS
1778SLV14M60DDS	1778 SLV14 DD 60	60	1778	SET of 2
1778SLV14M75DD	1778 SLV14 DD 75	75	1778	
Double sided PV				
ITEM CODE	DESCRIPTION	WIDTH (ribs)	LENGTH (mm)	COMMONLY USED SETS
18-1657/2	PV BELT 22 PL DD 1765 18-1657/2	22	1765	
18-9525/2	PV BELT 26 PL DD 1765 18-9525/2	26	1765	

Product



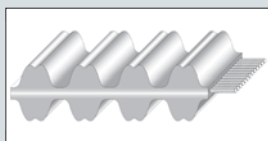
SYNCHRONOUS WITH PV BACK

The powerful solution.

When both slippage and power are required, this is the best solution.

Synchronous side available in either RPP or STD profiles.

Ribbed side available in either PV-K or PV-L profiles.



DOUBLE SIDED SYNCHRONOUS

The standard solution.

A complete range of belts, available in either RPP or STD profiles.

May be manufactured in different structures: standard, Silver or Gold.



DOUBLE SIDED POLY-V

The silent solution.

For applications where slippage is the name of the game and noise needs to be limited.

Available in either PV-K or PV-L profiles.

CASE STUDIES

Application:

Roller mill

Previous drive:

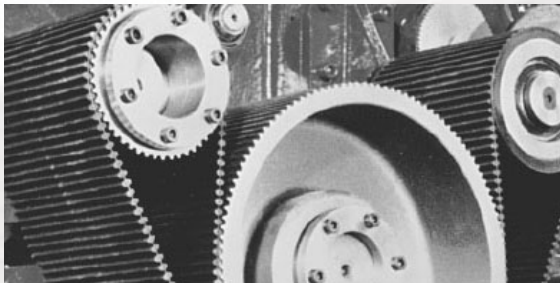
Competitor's standard synchronous belt with PV back

Previous drive problems:

The high load was causing pulley wear and tooth jumps that damaged the cords and consequently the belts.

Solution:

Megadyne's **SYNCHRONOUS 8M RPP GOLD WITH 12-RIBS PV-L**, with its high breaking strength cords.



Application:

Roller mill

Previous drive:

Competitor's set of synchronous belts with PV back.

Previous drive problems:

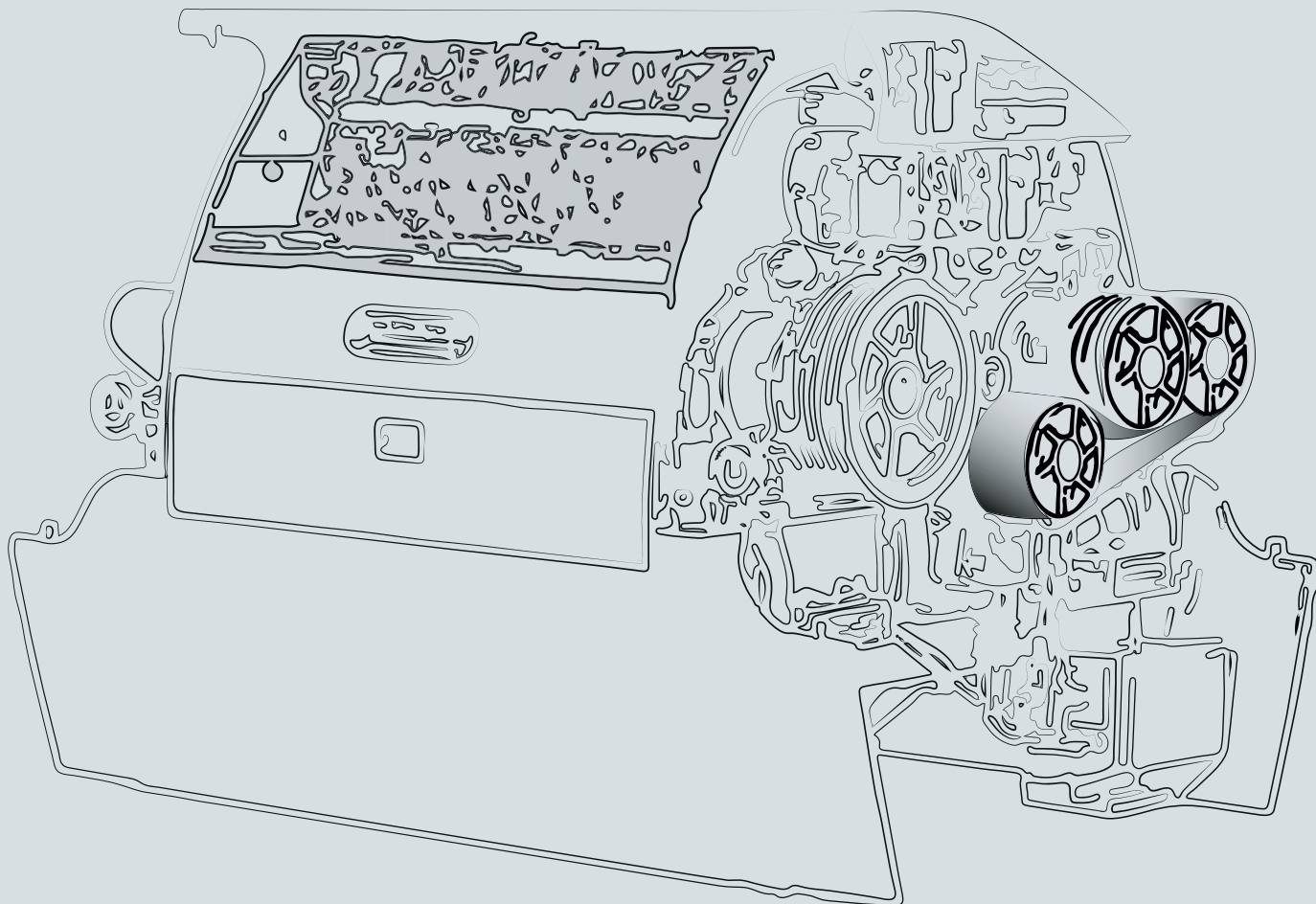
Tooth jump and requirement for increased power transmission within a limited amount of space.

Solution:

Megadyne's **35-RIBS-DOUBLE SIDED PV-L** for a smooth, powerful and narrow drive.



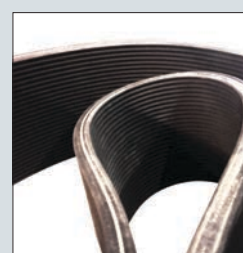
Roller mill machine



**SYNCHRONOUS
WITH PV BACK**



**DOUBLE SIDED
SYNCHRONOUS**



**DOUBLE SIDED
POLY-V**

BELT TYPE	Tooth pitch (mm)	Rib pitch (mm)	Maximum belt width (mm)	Maximum pitch length (mm)	Maximum number of ribs
Synchronous with PV back	8 & 14	3,56(PVK) & 4,70(PVL)	500	4400(8M) & 4956(14M)	-
Double sided synchronous	8 & 14	-	250/285	4400(8M) & 4956(14M)	-
Double sided PV	-	3,56(PVK) & 4,70(PVL)	500	5000	140/106

BELARUS**Minsk**

Kuzme Chornogo 31 -901
220100 Minsk
Phone +375 17 2802486
Info.ee@megadynegroup.com

BRASIL**Sorocaba**

Avenida Dr. Armando Pannunzio
610 CEP 18050-000
Sorocaba, São Paulo
Phone +55 15 2101 7700
inquiries@jasonindustrial.com

CANADA**Edmonton**

10020 42nd Avenue Edmonton
Alberta T6E 5B4
Phone: +1 780 461 4400
inquiries@jasonindustrial.com

Montreal

9135 Cote De Liesse
Dorval, Quebec H9P 2N9
Phone: +1 514 31 2341
inquiries@jasonindustrial.com

Toronto

927 Matheson Boulevard East
Mississauga, Ontario L4W 2R7
Phone: +1 905 602 4400
inquiries@jasonindustrial.com

CHINA**Beijing**

NO.37-344 Fudongyuan.Ciqu Street
Taihu town, Tongzhou
Beijing 101111
Phone +86 10 8150 7478
info.cn@megadynegroup.com

Foshan

n.5 Hedang Industrial Area
East Side Wu Gang Road
Changcheng district, Foshan
Guangdong 528031
Phone +86 757 83815530
info.cn@megadynegroup.com

Fujian

No.720 Marketing Comprehensive
Building, South Lingshui Street
Wuli Industrial Park,
Jinjiang City, Fujian, 362261
Phone +86 595 8816 0309
info.cn@megadynegroup.com

Ningbo

Industrial Chemical Area,
Fengxiang Road 777, Xiepu Town
Zhenghai District,
Ningbo City , Zhejiang Province,
315203
Phone +86 574 8650 2886
info.cn@megadynegroup.com

Qingdao

Longshan town office,
Nange backstreet Jimo city –
Qingdao – Shandong, 266100
Phone +86 532 8765 2117
info.cn@megadynegroup.com

Shanghai

Business Office A area,
6th Floor, 11th Building,
No.1588, Li an Road
Shanghai, 201105
Phone +86 21 5447 1473
info.cn@megadynegroup.com

Shenyang

Room303, Flat 3, No.131-9
Baogong South St.
Tiexi District
Shenyang,110074
Phone +86 24 2572 3238
Fax +86 24 2572 3238
info.cn@megadynegroup.com

COLOMBIA**Cartagena**

Diag 22-56-112
Bario el Bosque
Cartagena, Colombia
NIT 900-648-909-6
Phone: 011 57 313 501 5397
inquiries@jasonindustrial.com

CZECH REPUBLIC**Praha**

Karlovarska Business Park
Na Hurce 1077/4 (Budova C),
161 00 –
Praha 6 – Ruzyně
Phone +420 2 8481 7181
office.cz@megadynegroup.com

FRANCE**Paris**

Logistic Center Zi Les Bordes - 15
Rue Gustave Madiot
91923 Bondoufle Cedex
Phone +33 1 6079 8200
info.fr@megadynegroup.com

St. Jean De Maurienne

le près de la Garde -Av. Italie-
73300 S. Jean de Maurienne
Phone +33 4 7964 0613
info.fr@megadynegroup.com

GERMANY**Borchen**

Nikolaus Otto Straße 24
33178 Borchen
Phone +49 5251 8735 0
info.de@megadynegroup.com

Elchingen

Daimlerstraße 13
89275 Elchingen
Phone +49 7308 9665 0
produktion@megadynegroup.com

HUNGARY**Budapest**

West Gate Business Park
Topark u. 9
2045 Torokbalint
Phone +36 23 428 628
info.hu@megadynegroup.com

MEXICO**Mexico C.P.**

Av. Ceylan 959 Int. 9 Y 10
Industrial Vallejo Azcapotzalco,
Mexico C.P. 02300
Phone +52 55 5587 3680
inquiries@jasonindustrial.com

POLAND**Bydgoszcz**

Ołowiana 10, 85-461 Bydgoszcz
POLAND
Phone +48 52 348 77 12
info.pl@megadynegroup.com

SOUTH AFRICA**Johannesburg**

Unit 4 - 6, 24 Park Avenue South
- Highway Business Park -
Rooihuiskraal, Centurion
Phone +27 (0)12 661 1652
Fax +27 (0)12 661 1634
info.sa@megadynegroup.com

SPAIN**Barcelona**

Ctra de l'Arboc, Km 1,7
08800 Vilanova I La Geltru
Barcelona
Phone +34 93 811 5450
info.sp@megadynegroup.com

SWEDEN**Kristianstad**

Estrids Väg 15
291 65 Kristianstad
Phone +46 10 1309600
info.se@megadynegroup.com

THAILAND**Bangkok**

S.S.P. Tower – 16th Floor –
Office 10 Soi Sukhumvit 63
(Ekamai) Klong Tan Nuea,
Vadhana Bangkok 10110
Phone: +66 (0) 27115477
info.apac@megadynegroup.com

TURKEY**Izmir**

Mustafa Kemal Atatürk Mahallesi
Izmir Ankara Asfalti Caddesi
No:19, 35170 Ulucak Kemalpaşa
Phone +90 232 877 07 00
info@rultrans.com.tr

U.K.**Birmingham**

Unit 1, The Washington Centre,
Halesowen Road, Netherton,
Dudley, West Midlands, DY2 9RE
Phone: +44 1384 215 021
sales@megadynegroup.com

U.S.A**California**

5660-5680 Rickenbacker Road Bell
Los Angeles, CA 90201
Phone +1 323 265 8061
inquiries@jasonindustrial.com

Florida

5120-B East Adamo Drive Tampa,
FL 33619
Phone +1 813 241 4111
inquiries@jasonindustrial.com

Georgia

Belt Corporation of America
253 Castleberry Industrial Dr.
Cumming, GA 30040
Phone +770 887-9725
inquiries@jasonindustrial.com

Illinois

221 South Westgate Drive
Carol Stream, IL 60188
Phone: +1630 752 0600
inquiries@jasonindustrial.com

New Jersey Americas HQ

340 Kaplan Drive Fairfield
NJ 07004
Phone +1 973 227 4904
inquiries@jasonindustrial.com

North Carolina

11016 Granite Street, Charlotte,
NC 28273
Phone +1 704 583 5388
inquiries@jasonindustrial.com

Oregon

One SE Alder St., Portland,
OR 97214
Phone +1 888 231 7224
inquiries@jasonindustrial.com

South Carolina

101 Pelham Davis Cir, Greenville,
SC 29615-5752
Phone +1 864 288 9916
inquiries@jasonindustrial.com

Texas

8510 Ambassador Row, Dallas
TX 75247
Phone +1 972 438 6992
inquiries@jasonindustrial.com

HEADQUARTERS**ITALY Torino**

Via S. Lucia, 114
10075 Mathi (Torino)
Phone +39 011 926 8052
info@megadynegroup.com

www.megadynegroup.com
www.jasonindustrial.com

